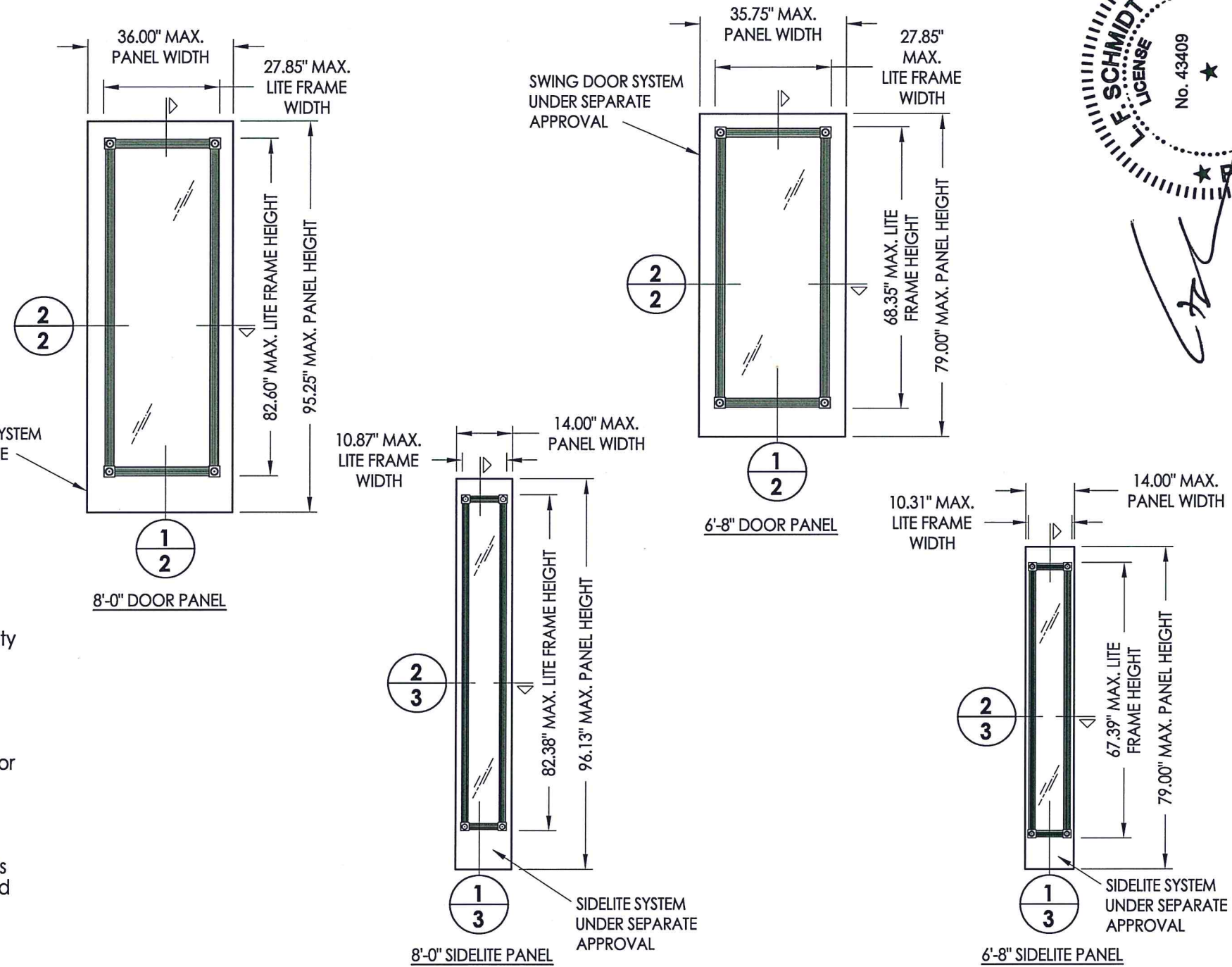




215 EAST ROOSEVELT AVE.
ZEELAND, MI 49464

ODL / WESTERN REFLECTIONS FLUTED ARCHITECTURAL SERIES PVC DOORGLASS ASSEMBLY COMPONENT APPROVAL "NON-IMPACT"

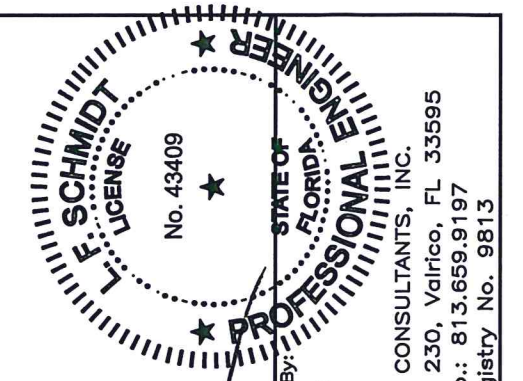


GENERAL NOTES

- This product has been evaluated and is in compliance with the 7th Edition (2020) Florida Building Code structural requirements including the High Velocity Hurricane Zone (HVHZ).
- This product shall only be used as a substitute doorglass assembly in conjunction with glazed steel or fiberglass side hinged swing doors or fixed sidelites possessing a current Florida Statewide product approval. The lite opening size shall not exceed the opening size approved in the glazed steel or fiberglass side hinged swing doors or fixed sidelites approval. See sheet 4 for door and sidelite panel construction specifications.
- The design pressure (DP) rating shall be the lesser of the DP rating shown on sheet 1 of this approval or the DP rating shown in the glazed steel or fiberglass side hinged swing doors or fixed sidelites approval being used. Do not exceed maximum panel and daylight dimensions shown.
- When used in the "HVHZ" this product is required to be protected with an impact resistant covering that complies with Section 1626 of the FBC.
- When used in areas outside the "HVHZ" requiring wind borne debris protection, this product is required to be protected with an impact resistant covering that complies with FBC Sections 1609.1.2 & R301.2.1.2.
- This product meets the water infiltration requirements for "HVHZ".

TABLE OF CONTENTS	
SHEET #	DESCRIPTION
1	Typical elevations, design pressures, & general notes
2	Glazing detail & cross sections (door)
3	Glazing detail & cross sections (sidelite)
4	Bill of materials & components

PANEL TYPE	OVERALL PANEL DIMENSION	OVERALL D.L.O. DIMENSION	GLASS TYPE	DESIGN PRESSURE (PSF)	
				POSITIVE	NEGATIVE
SIDELITE	14.00" x 79.00"	6.92" x 64.00"	G1	+65.0	-65.0
SIDELITE	14.00" x 96.13"	7.48" x 78.97"		+65.0	-65.0
DOOR	35.75" x 79.00"	23.50" x 64.00"		+65.0	-65.0
DOOR	36.00" x 95.25"	23.50" x 78.25"		+65.0	-65.0

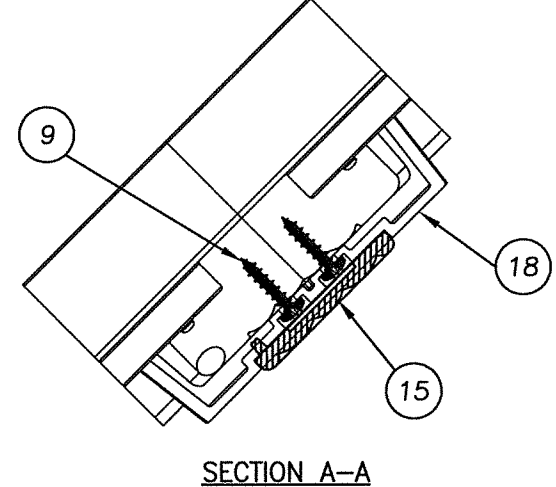
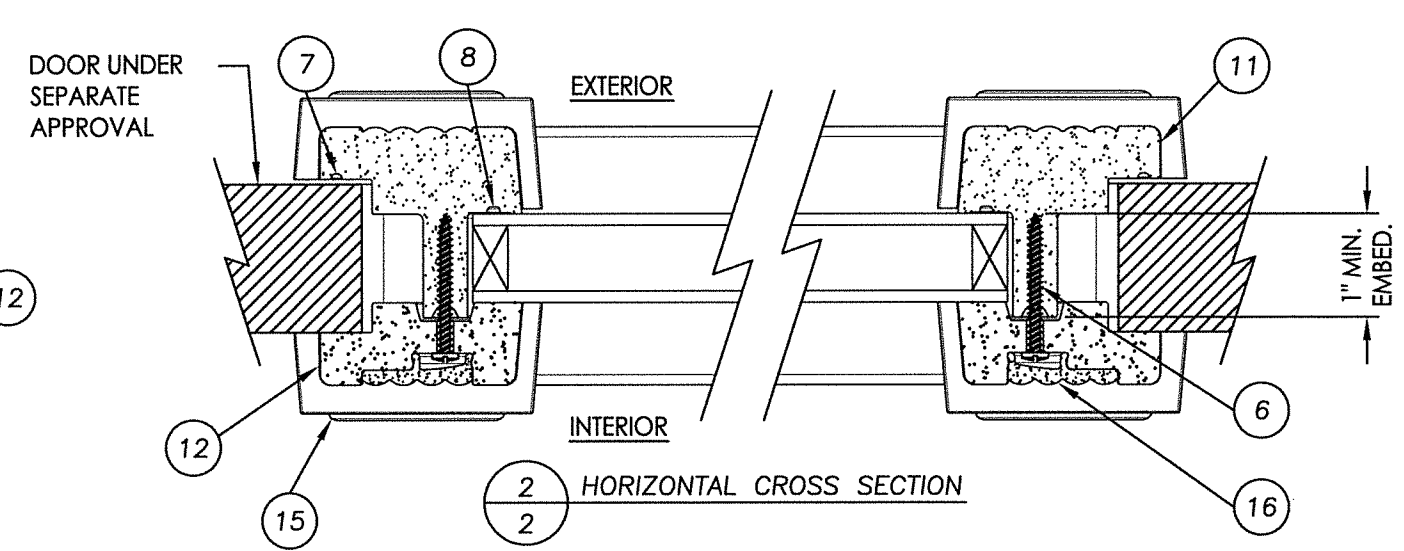
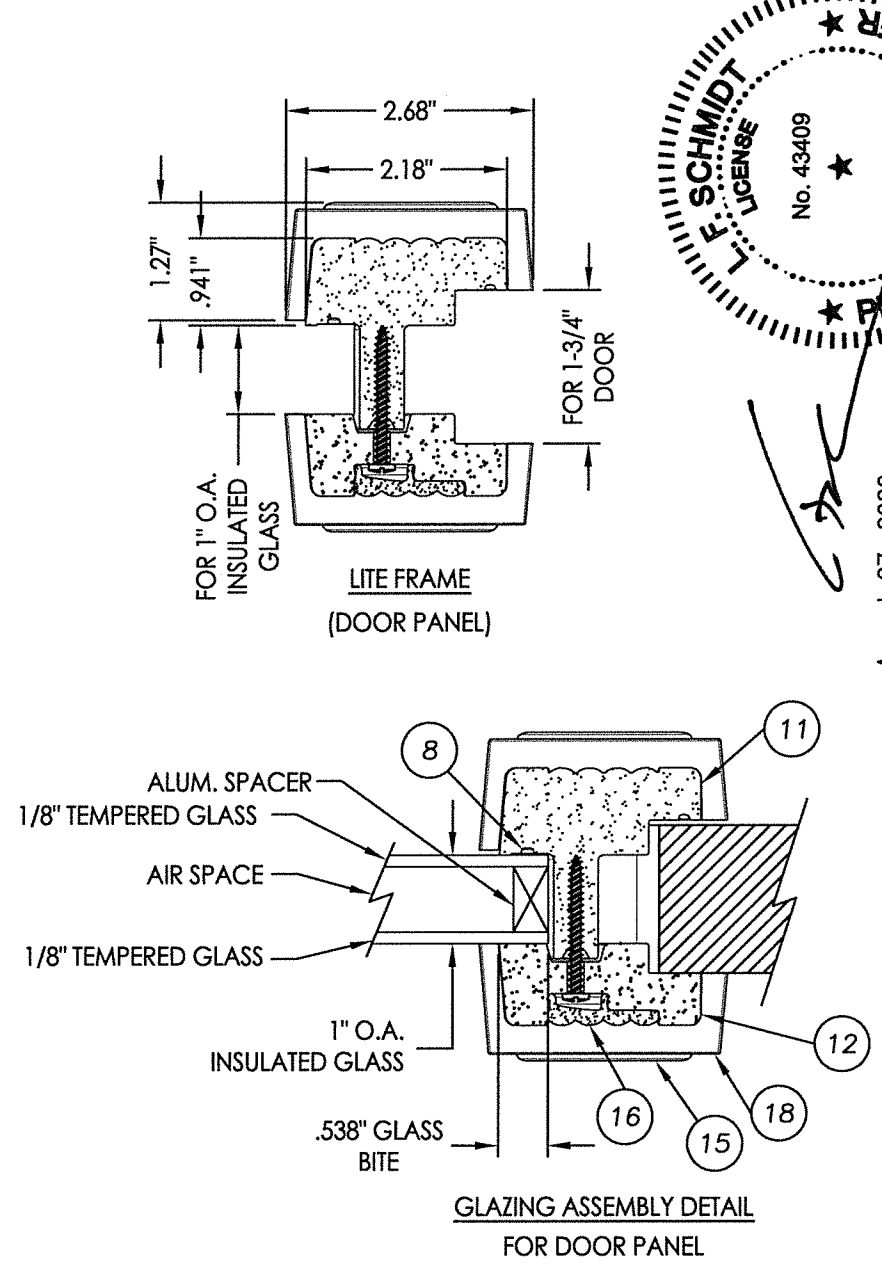
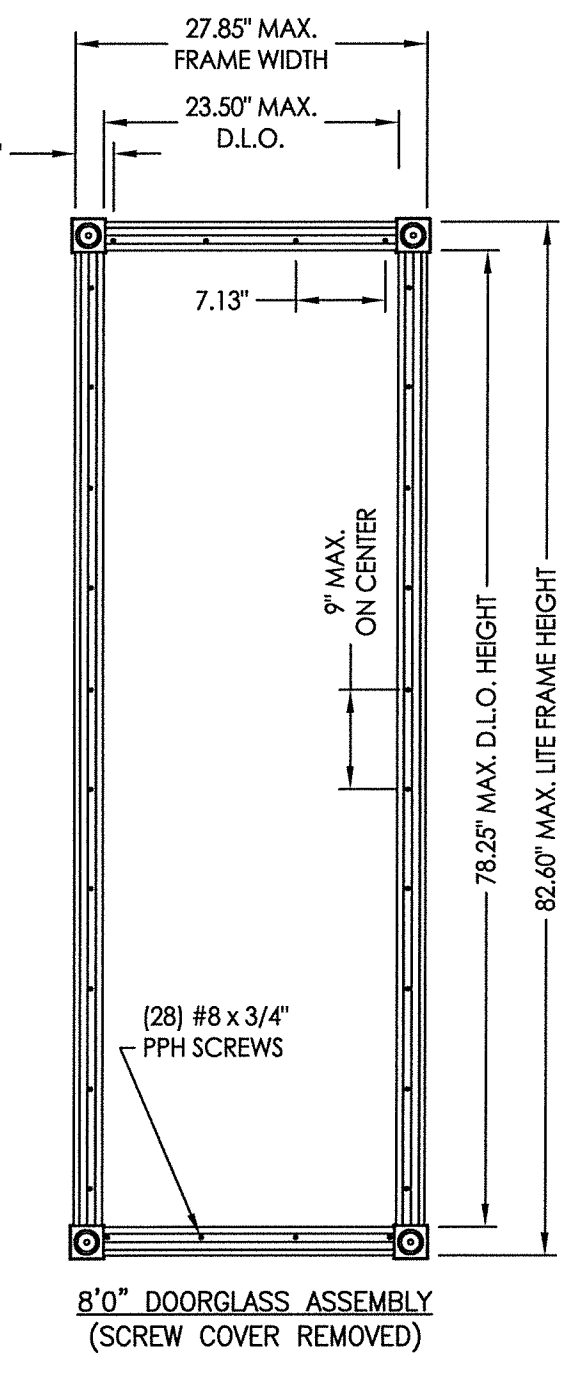
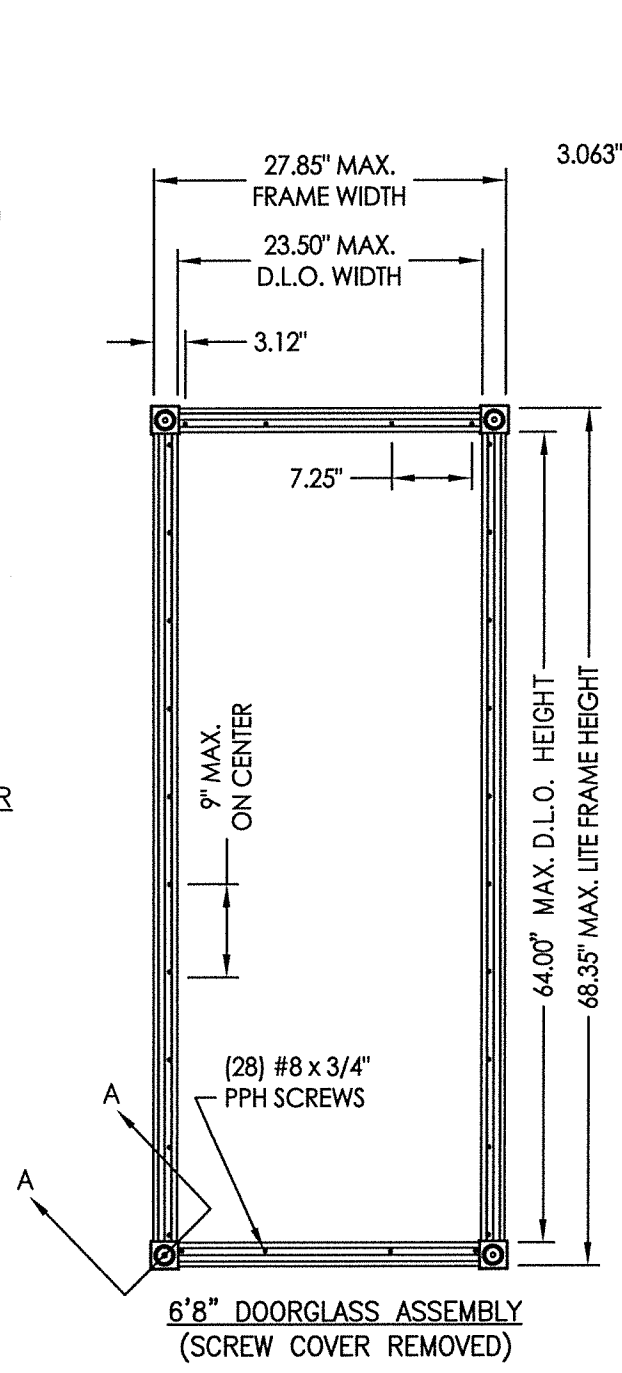
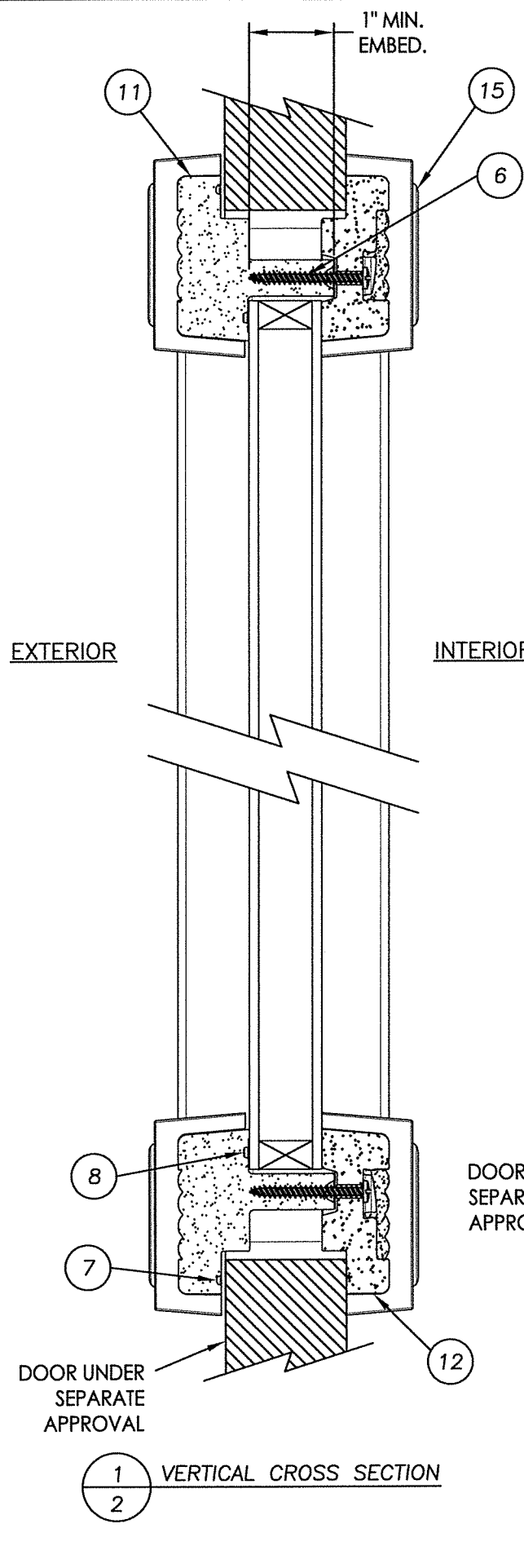


August 07, 2020
Documents Prepared By:
Lyndon F. Schmidt
P.E. No. 43409

PROFESSIONAL ENGINEER
STATE OF FLORIDA
No. 43409
R.W. BUILDING CONSULTANTS, INC.
P.O. Box 230, Valrico, FL 33595
Phone No.: 813.659.9197
FBPE Registry No. 9813

PRODUCT:		PART OR ASSEMBLY:		TYPICAL ELEVATIONS, DESIGN PRESSURES & GENERAL NOTES	
ODL/WESTERN REFLECTIONS FLUTED ARCHITECTURAL SERIES DOORGLASS ASSEMBLY		DOORGLASS ASSEMBLY		TYPICAL ELEVATIONS, DESIGN PRESSURES & GENERAL NOTES	
DATE:	2/29/12	SCALE:	N.T.S.	DWG. BY:	JK
CHK. BY:	LFS	DRAWING NO.:	FL-15260.2	SHEET	1 OF 4
NO.	DATE	REVISIONS			
3	8/50/20	UPDATE TO 7TH ED. (2020)	FBC	DAC	
2	9/26/17	UPDATE TO 6TH ED. (2017)	FBC	JK	
1	3/28/15	UPDATE TO 5TH ED. (2014)	FBC	JK	

\\dc01\wbc\Clients\ODL, Inc. PERMANENTVA - Florida Product Approvals\FL-15260 Exterior Door Components - Lite Frame InsertsC - Drawings\FL 15260 (2020) R9\FL-15260.1-2.dwg



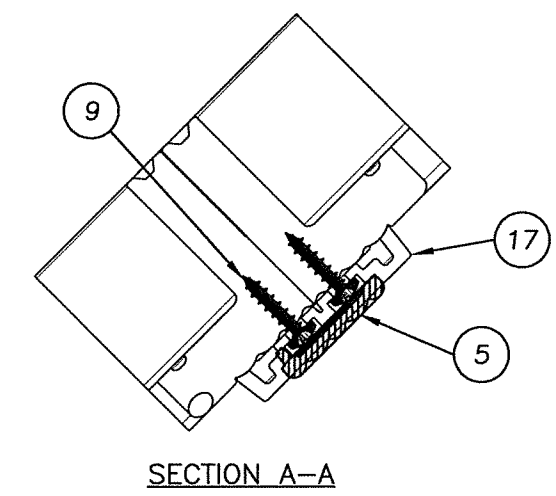
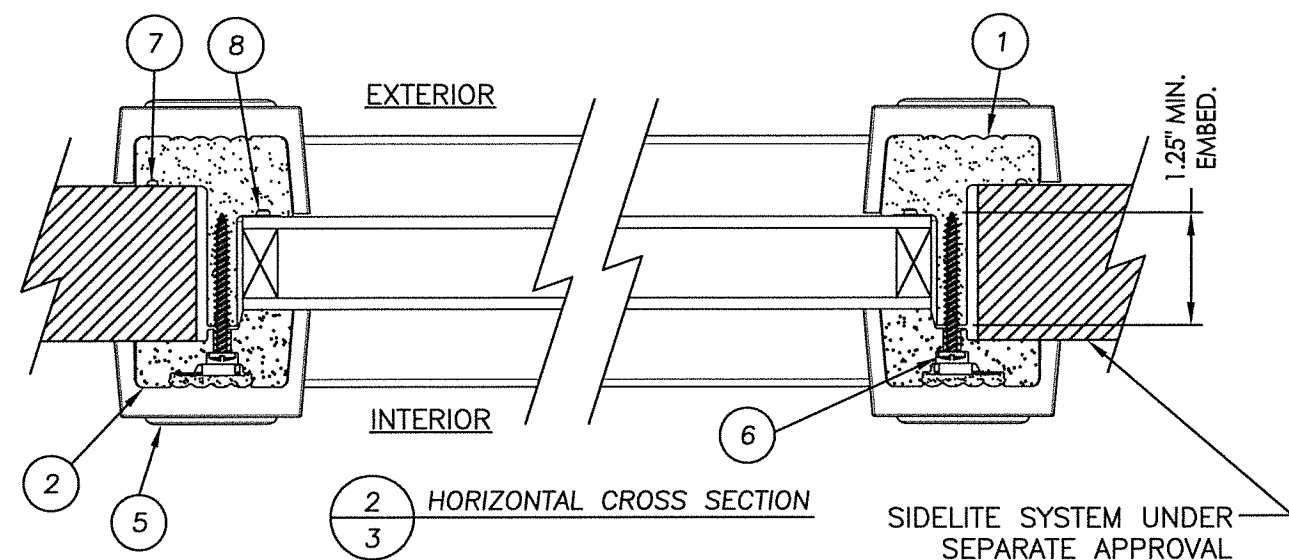
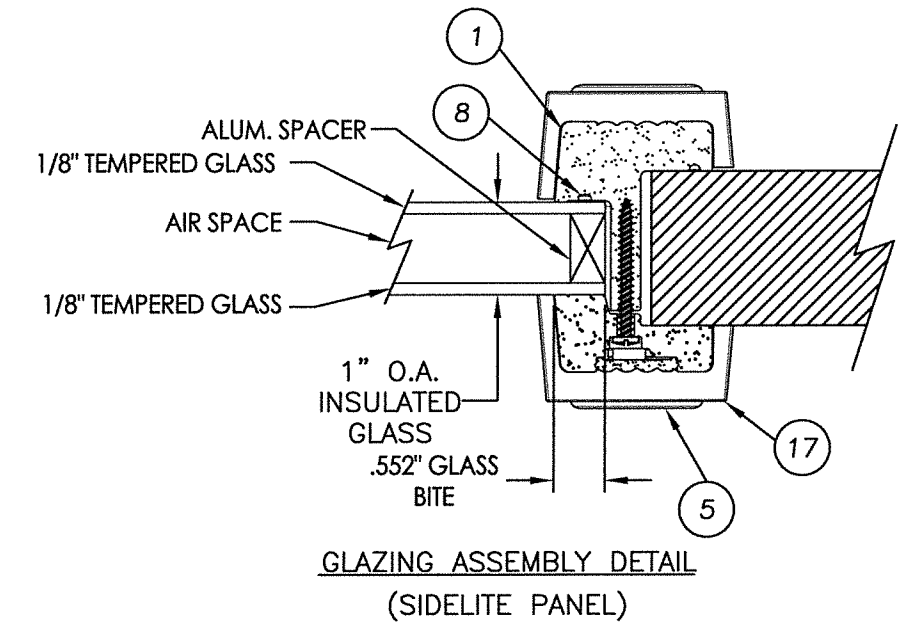
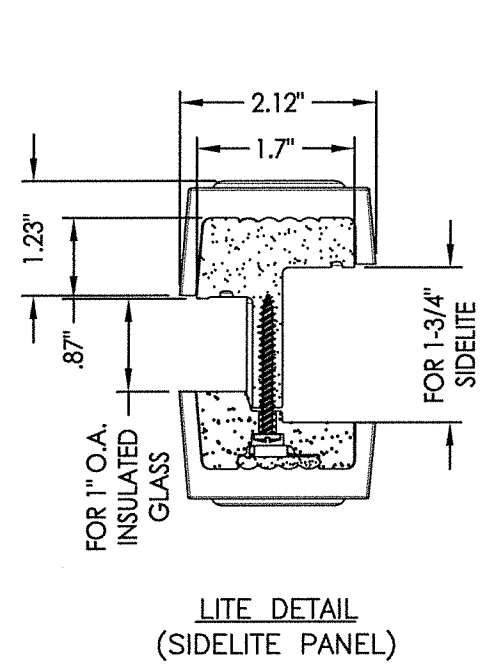
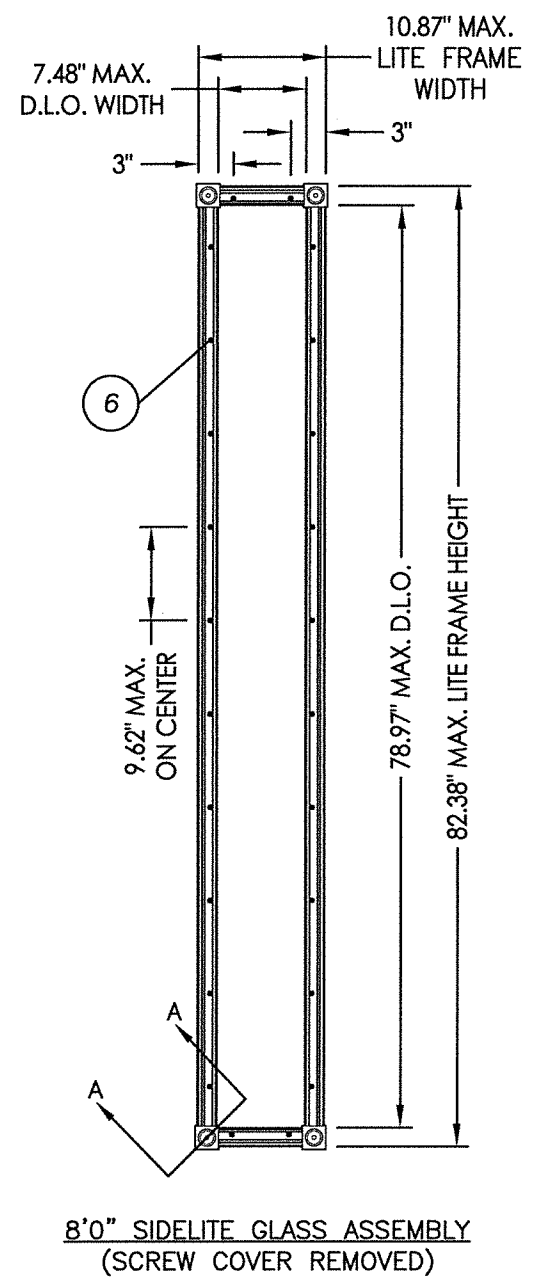
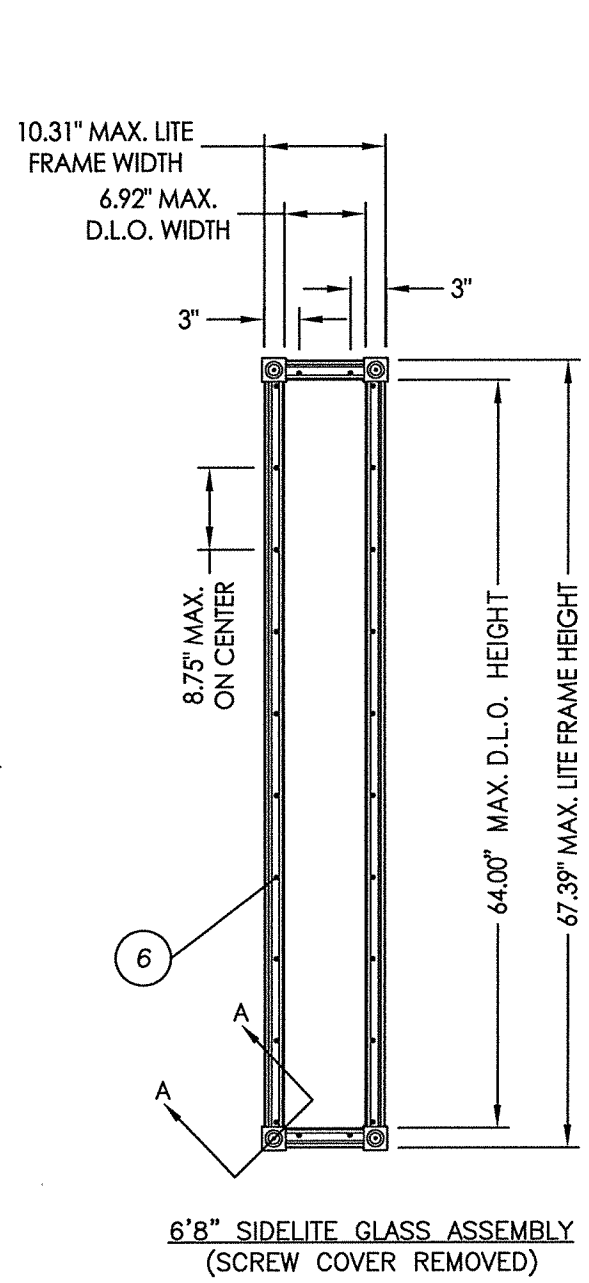
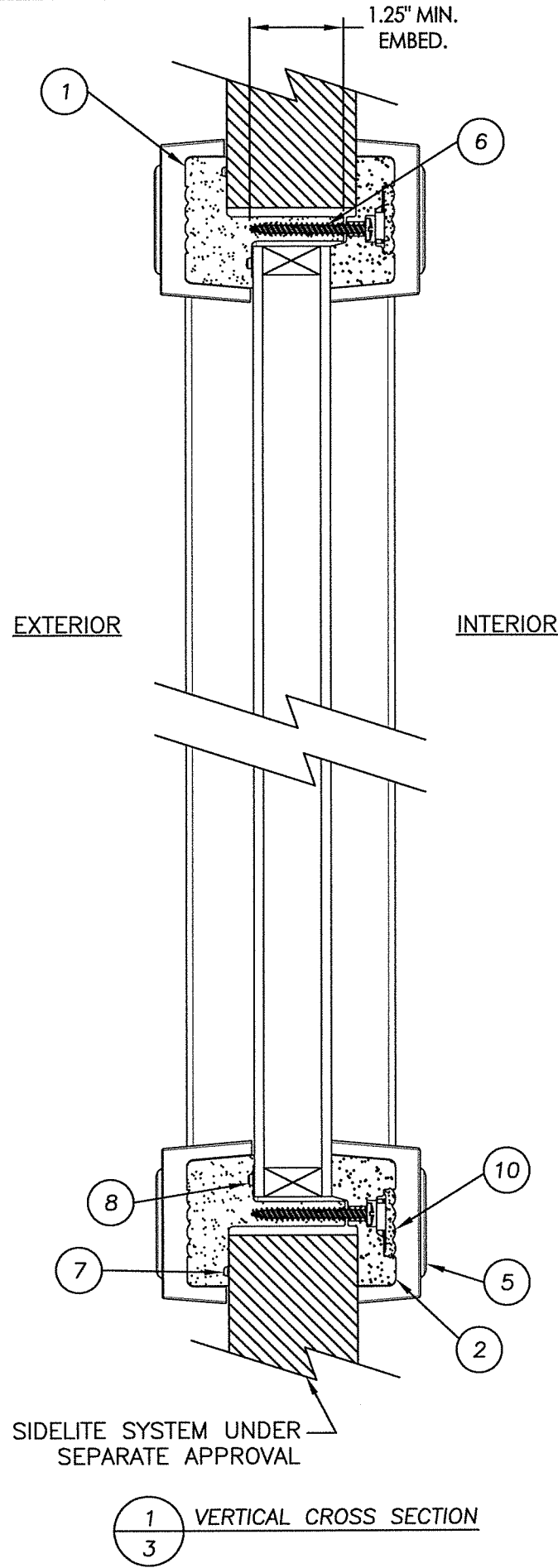
E. SCHMIDT
 LICENSE No. 43409
 STATE OF FLORIDA
PROFESSIONAL ENGINEER

August 07, 2020
 Documents Prepared By:
 Lyndon F. Schmidt
 P.E. No. 43409

RW
 BUILDING CONSULTANTS, INC.
 P.O. Box 230, Valrico, FL 33595
 Phone No.: 813.659.9197
 FBPE Registry No. 9813

PRODUCT: ODL/WESTERN REFLECTIONS FLUTED ARCHITECTURAL SERIES DOORGLASS ASSEMBLY		PART OR ASSEMBLY: GLAZING DETAIL & CROSS SECTIONS (DOOR)	
DATE:	2/29/12	NO.	DATE
SCALE:	N.T.S.	1	3/28/15
DWG. BY:	JK	2	9/26/17
CHK. BY:	LFS	3	8/50/20
DRAWING NO.:	FL-15260.2		
SHEET	2	OF	4

© 2012 R.W. BUILDING CONSULTANTS INC.



August 07, 2020

Documents Prepared By: Lyndon F. Schmidt P.E. No. 43409

STATE OF FLORIDA PROFESSIONAL ENGINEER

No. 43409

R.W. BUILDING CONSULTANTS, INC. P.O. Box 230, Valrico, FL 33595 Phone No.: 813.659.9197 FBPE Registry No. 9813

PRODUCT: ODL/WESTERN REFLECTIONS FLUTED ARCHITECTURAL SERIES DOORGLASS ASSEMBLY

PART OR ASSEMBLY: GLAZING DETAIL & CROSS SECTIONS (SIDELITE)

NO.	DATE	BY	REVISIONS
3	8/50/20	DAC	UPDATE TO 7TH ED. (2020) FBC
2	9/26/17	JK	UPDATE TO 6TH ED. (2017) FBC
1	3/28/15	JK	UPDATE TO 5TH ED. (2014) FBC

DATE: 2/29/12

SCALE: N.T.S.

DWG. BY: JK

CHK. BY: LFS

DRAWING NO.: FL-15260.2

SHEET 3 OF 4

\\dc01\wbc\clients\ODL, Inc. PERMANENTVA - Florida Product Approvals\FL-15260 Exterior Door Components - Lite Frame InsertsC - Lite Frame InsertsC - Drawings\FL 15260 (2020) R9\FL-15260.1-2.dwg

ITEM	DESCRIPTION	MATERIAL
1	EXTERIOR FRAME, FULL LIGHT, SIDELITE *	CELLULAR PVC
2	INTERIOR FRAME, FULL LIGHT, SIDELITE *	CELLULAR PVC
5	MEDALLION, SIDELITE	HP PLASTIC
6	PPH SCR, #8 X 1.5", 24 Pc./BAG	STEEL
7	SYNTHETIC RUBBER	RUBBER
8	BUTYL	BUTYL
9	PPH SCR, #8 X 3/4", 24 Pc./BAG	STEEL
10	SIDELITE SCREW COVER	CELLULAR PVC
11	EXTERIOR FRAME, FULL LIGHT, DOOR *	CELLULAR PVC
12	INTERIOR FRAME, FULL LIGHT, DOOR *	CELLULAR PVC
15	MEDALLION, DOOR	HP PLASTIC
16	DOOR SCREW COVER	CELLULAR PVC
17	CORNER CAP, SIDELITE	HP PLASTIC
18	CORNER CAP, DOOR	HP PLASTIC

* CELLULAR PVC EXTRUSIONS SHALL BE BY ROYAL MOULDINGS PRODUCED UNDER A CURRENT PLASTICS MATERIAL APPROVAL.

SPECIFICATION FOR DOOR AND SIDELITE PANELS:

THE ODL/WESTERN REFLECTIONS CELLULAR PVC DOORGLASS ASSEMBLY COMPONENT IS APPROVED UNDER THIS STATEWIDE PRODUCT APPROVAL. THE SINGLE GLAZED DOOR SYSTEM AND SIDELITE SYSTEM SHOWN ARE UNDER SEPARATE CURRENT STATEWIDE PRODUCT APPROVALS. THE DOOR AND SIDELITE (MAX. PANEL SIZE OF 36" WIDE X 96" HIGH) MUST MEET THE FOLLOWING MINIMUM REQUIREMENTS TO BE QUALIFIED WITH THIS DOORGLASS COMPONENT:

I. STEEL DOOR, SWINGING TYPE (1-3/4" MIN THICK PANEL):

1. BOTTOM RAIL: 0.020" MIN. THICK STEEL OR BETTER.
2. STILE: 1.715" X 1.000" (WOOD STILE)
3. TOP RAIL: 1.715" X 1.000" (WOOD RAIL)
4. FOAM CORE: APPROVED 2-2.5#/FT³ DENSITY URETHANE OR 2.0#/FT³ DENSITY POLYSTYRENE, COMPLYING TO FBC.

II. STEEL FIXED SIDELITE (1-3/4" MIN. THICK PANEL):

1. TOP & BOTTOM RAIL: 1.715" X 1.000" (WOOD RAIL)
2. STILES: 1.715" X 1.000" (WOOD STILE)
3. FOAM CORE: APPROVED 2-2.5#/FT³ DENSITY URETHANE OR 2.0#/FT³ DENSITY POLYSTYRENE, COMPLYING TO FBC.

III. FIBERGLASS DOOR. (WOOD EDGE). 1-3/4" MIN THK. PANEL.

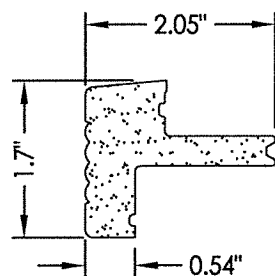
1. HINGE STILE: OSB 1.100" X 1.450"
2. LATCH STILE: OSB 3.780" X 1.450"
3. STILE CAP: HARDWOOD .372" X 1.450"
4. TOP RAIL: COMPOSITE 1.450" X .940"
5. BOTTOM RAIL: COMPOSITE 1.450" X .800"
6. FOAM CORE: APPROVED 2-2.5 #/FT³ DENSITY URETHANE OR 2.0 #/FT³ DENSITY POLYSTYRENE COMPLYING TO FBC.

IV. FIBERGLASS FIXED SIDELITE. (WOOD EDGE). 1-3/4" MIN THK. PANEL.

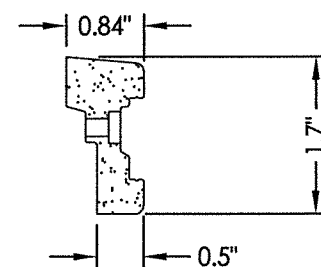
1. STILE: COMPOSITE 1.186" X 1.620"
2. TOP RAIL: COMPOSITE 1.620" X 1.125"
3. BOTTOM RAIL: COMPOSITE 1.620" X 1.066"
4. FOAM CORE: APPROVED 2-2.5 #/FT³ DENSITY URETHANE OR 2.0 #/FT³ DENSITY POLYSTYRENE COMPLYING TO FBC.

V. DOOR & SIDELITE SKINS

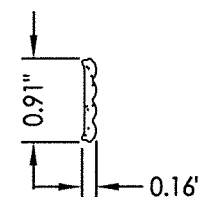
1. STEEL DOOR AND SIDELITE SKIN 0.020" THK.
2. FIBERGLASS DOOR SKIN 0.125" THK.
3. FIBERGLASS SIDELITE SKIN 0.083" THK.



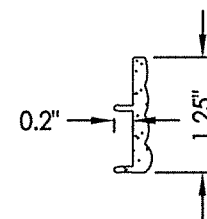
1 EXTERIOR LITEFRAME SIDELITE



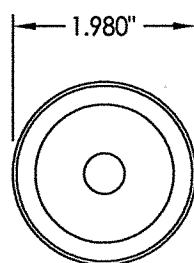
2 INTERIOR LITEFRAME SIDELITE



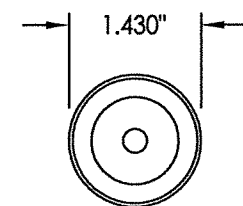
10 SCREW COVER SIDELITE



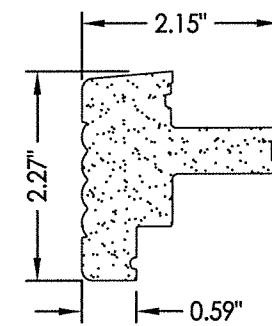
16 SCREW COVER DOOR



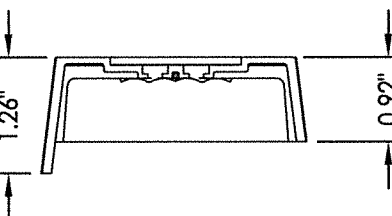
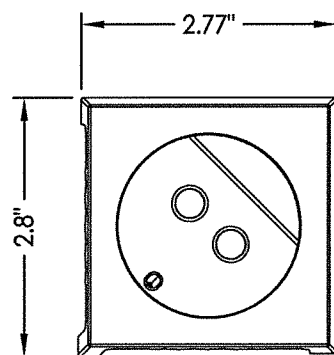
15 MEDALLION DOOR



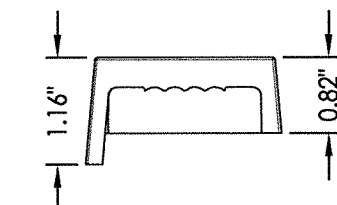
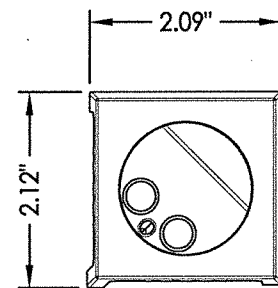
5 MEDALLION SIDELITE



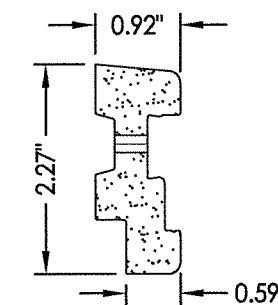
11 EXTERIOR LITEFRAME DOOR



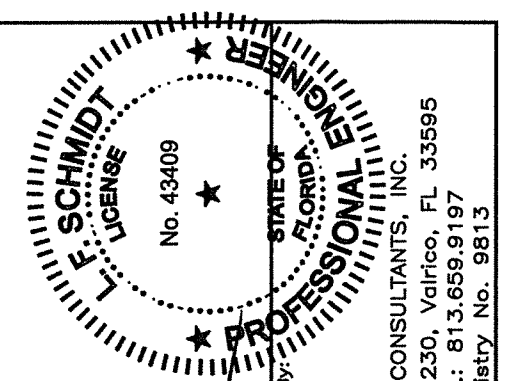
18 CORNER CAP DOOR



17 CORNER CAP SIDELITE



12 INTERIOR LITEFRAME DOOR



August 07, 2020
 Documents Prepared By:
 Lyndon F. Schmidt
 P.E. No. 43409

STATE OF FLORIDA
 PROFESSIONAL ENGINEER
 BUILDING CONSULTANTS, INC.
 P.O. Box 230, Valrico, FL 33595
 Phone No.: 813.659.9197
 FBPE Registry No. 9813

PRODUCT:
 ODL/WESTERN REFLECTIONS
 FLUTED ARCHITECTURAL SERIES
 DOORGLASS ASSEMBLY
 PART OR ASSEMBLY:
 BILL OF MATERIALS
 & COMPONENTS

NO.	DATE	BY	REVISIONS
3	8/50/20	DAC	UPDATE TO 7TH ED. (2020) FBC
2	9/26/17	JK	UPDATE TO 6TH ED. (2017) FBC
1	3/28/15	JK	UPDATE TO 5TH ED. (2014) FBC

DATE: 2/29/12
 SCALE: N.T.S.
 DWG. BY: JK
 CHK. BY: LFS
 DRAWING NO.: FL-15260.2
 SHEET 4 OF 4